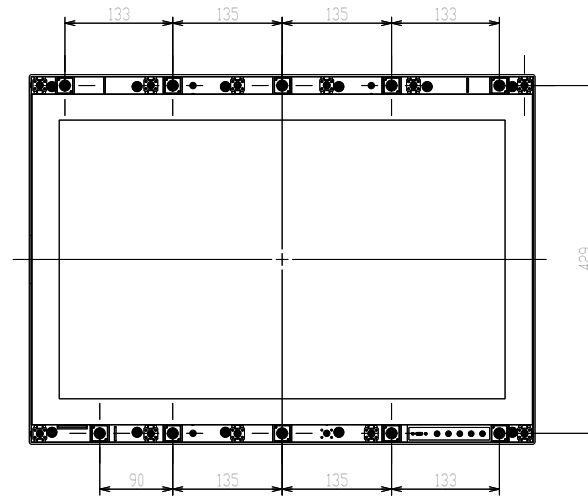
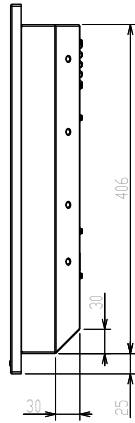
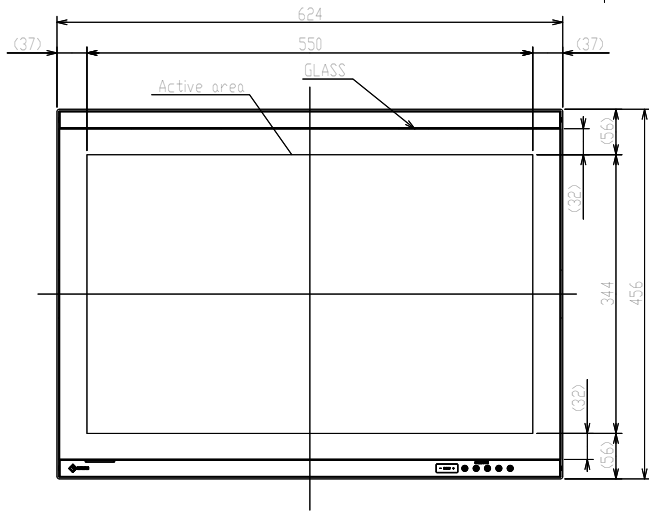
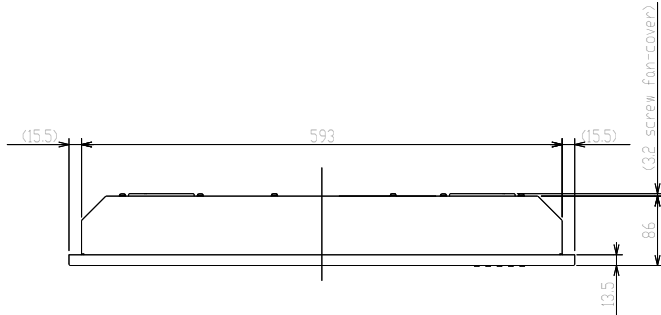


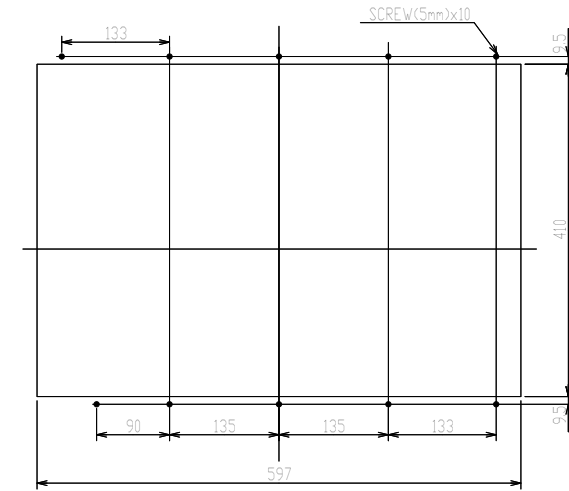
F DU2603W/F DU2603WT

Unit: mm

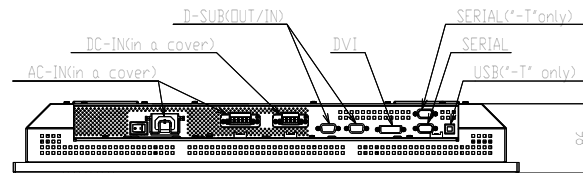
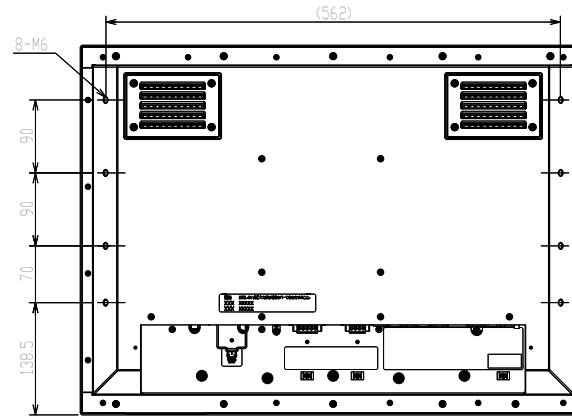
Revised
B : Add the housing tolerance for mounting



Without design panel
Installation screw position



Panel cut dimension



●Housing tolerance for the mounting

