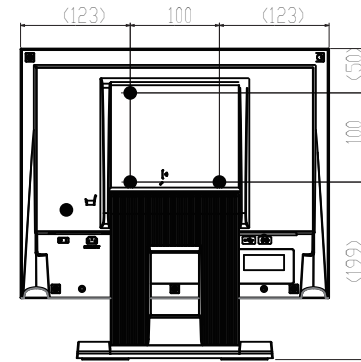
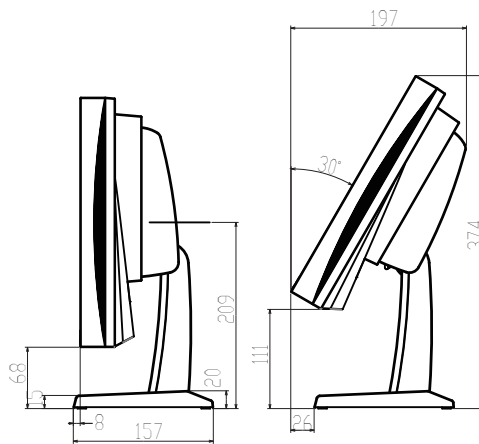
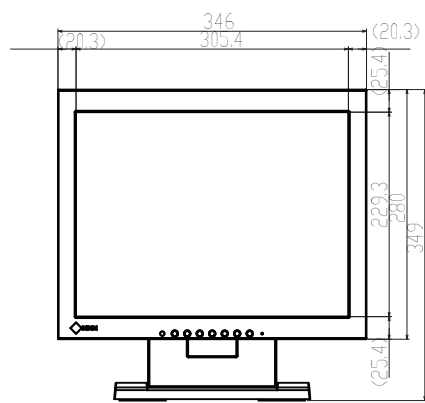
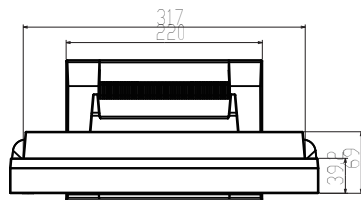
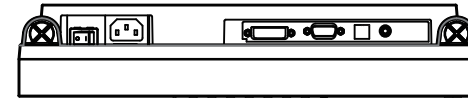
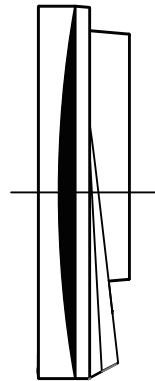
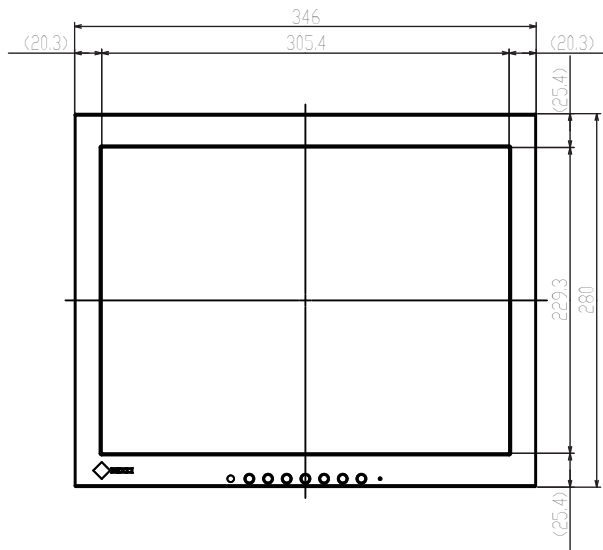
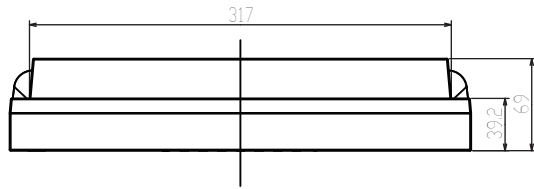


S1503-T

Unit: mm



S1503-F
(Unit:mm)



BOTTOM View

